

MAGNETIC SLIDING DOORS

Innovative Solution for Interiors



Your Entry Expert



Since 1988, our company Monador, which has gained expertise in automatic doors, has started the application of Motion4 Magnetic Sliding Doors in our country with the belief that doors, windows and similar applications will form the basis of this advanced technology in the near future.

Motion4 is our partner specialising in the development, design and production of automatic sliding doors with innovative magnetic linear motor technology for residential and commercial use.

Automatic Doors Redefined

Magnetic sliding doors are a redefinition of the traditional automatic door.

Motion4 has developed a unique electrically powered motor that generates a linear force using magnetic fields instead of rotating them to create thrust and movement. This reduced the number of mechanical parts required. The reduction in the number of mechanical parts resulted in an elegant 60x70 mm aluminium body, a quieter and smoother movement and a longer service life. It combined the compact size of the existing door track with the performance and convenience of a door track.



Aesthetic Design

Compactly housed in a sleek aluminium frame with a cross-sectional area of only 60 mm x 70 mm, the Monador magnetic sliding door mechanism occupies a much smaller footprint than other conventional automatic door systems due to its reduced dimensions. Its elegant, unobtrusive design also allows users to enjoy automatic entry without compromising on aesthetics.

Silence in Motion

Assisted by magnetic fields instead of mechanical action, friction is significantly reduced, resulting in a smooth and silent movement. This makes the Monador magnetic sliding door an ideal automatic door for use in private residences, hotels, nursing homes and other interior applications where a quiet environment is required.



Advanced Security

Monador magnetic sliding door is highly sensitive to resistance and obstacles. It can be connected to various safety sensors and activation devices, the door can even be set to low energy mode. It complies with EN16005 safety standards.



Toilet Door System

We offer a customised solution for public toilets in restaurants, hotels, airports, etc. Monador magnetic sliding doors can be connected to various sensors and indicators to enhance hygiene and help reduce the spread of germs for a user-friendly and touch-free experience.

Easy Maintenance

The absence of belts, pulleys, reduction gears and other mechanical elements commonly used in conventional automatic doors reduces the need for frequent maintenance and parts replacement. It will operate with a very low maintenance cost during use.



Various Application Areas

The simple and elegant appearance of the Monador magnetic sliding door, combined with its silent movement, adapts to every project.

- Hotels
- Private Housing
- Office Departments
- Hospitals



- Care Homes
- Restaurants
- Airports
- Smoking Rooms

Versatile Usage

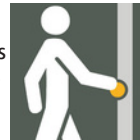
Monador magnetic sliding doors are extremely minimal and compact. They integrate perfectly into any environment, stylishly matching a variety of materials such as glass, aluminium and wood.





Combined Sensor

The door is activated when the sensor detects presence or movement. It can also be used as a safety photocell.



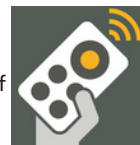
Button

In normal operation, the button is pressed to open the door and the door closes automatically. In the optional operating mode, the door opens when the button is pressed and remains open until it is pressed again.



Automatic Lock

It blocks the door when the sash is in the closed position and the operating mode is off or in exit only mode.



Remote Control

4 operating modes: Auto/On/Off/Outlet Only Receiver integrated on the main control board Pocket-sized transmitter - 12V DC battery



Contactless Key

The door opens and closes when you bring your hand or elbow close to the device.



Push & Go

The door will open automatically when you push the sash or door handle. There is also a push open and push close feature.

Standard Version

Outside



Activates door opening

Inside



1. Locks the door when closed
2. Unlocks the door for exit.

Comfort Version

Outside



Activates door opening



Light Indicator

Inside



Locks/Unlocks



Opens the door

Optional

Safety Sensor

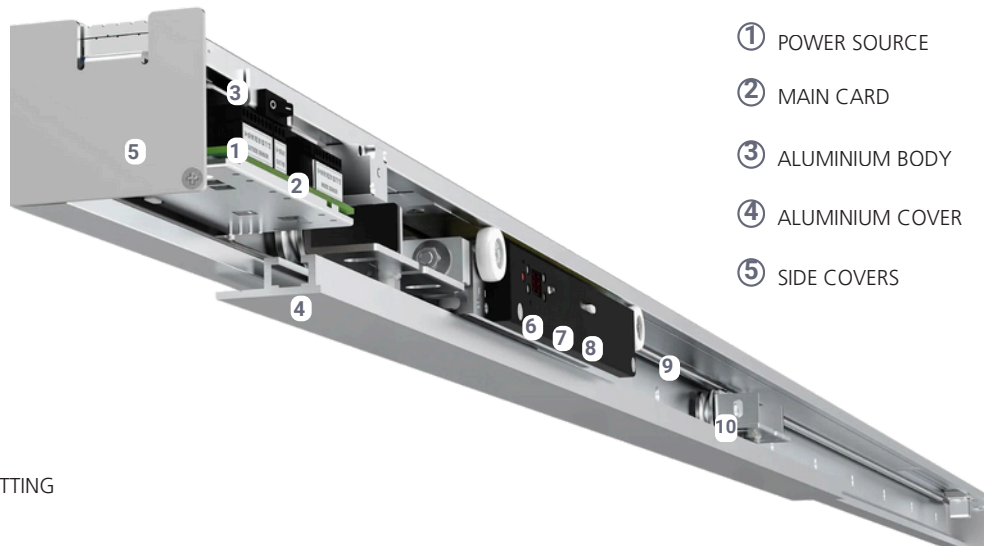


Keeps the door open when someone stops in front of it

Key



Opens the door from outside in case of emergency

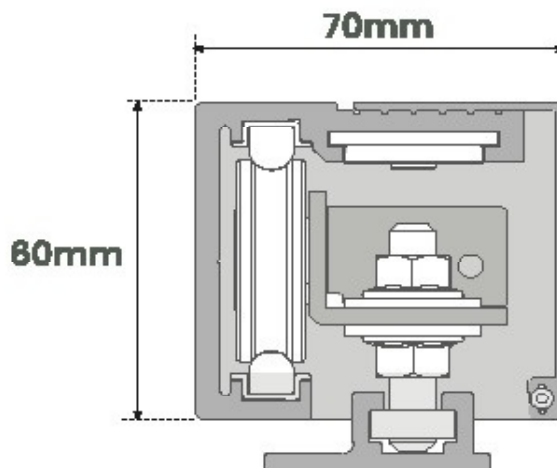


- ① POWER SOURCE
- ② MAIN CARD
- ③ ALUMINIUM BODY
- ④ ALUMINIUM COVER
- ⑤ SIDE COVERS

- ⑥ LINEAR MOTOR
- ⑦ MOTOR DRIVER
- ⑧ PARAMETER SETTING
- ⑨ MICNATISES
- ⑩ CARRIER CARS

- Compact Aluminium Body :60x70 mm
- Minimum Net Clearance :750 mm
- Maximum Net Clearance :1400 mm
- Wing Weight :80 kg
- Adjustable Opening Speed :200-600 mm/s
- Adjustable Acceleration and Braking :200-800 mm/s²
- Working Sound :<50 dB
- Power Source :230/110 V AC 50-60 Hz
- Power Consumption :4 W - 80 W
- Electrical Three Phase Motor :Permanent magnet linear synchronous motor
- Voltage :24 V DC
- Maximum Current :7 A
- Operation Current :3 A
- Motor Driver :3-cell magnetic position information
Movement with field-orientated control
Wireless communication via Bluetooth

Directive 2006, 42, EC
 Directive 2014, 30, EU
 Directive 2014, 35, EU
 EN 16005 : 2013, AC : 2015







CLIMATIZATION

The process of adjusting the temperature, humidity, cleanliness and air movement of a closed environment according to human health and comfort is called air conditioning. We know that our automatic door models, which combine advanced technology with research on human behavior and building environment, will contribute to sustainable and healthy buildings. With smart sensors, adaptive operating modes and connectivity, we can ensure that every building makes a difference and contributes to the future of green buildings.



EXPERIENCE AND KNOWLEDGE

Monador Automatic Door Systems Trade Inc. is the leading organisation that laid the foundations of the sector. With this understanding, we are proud to continue to provide the service of automatic sliding, magnetic sliding, revolving, security system doors, which we have been implementing in Turkey and the Middle East since 1988. As a result of the experience and knowledge we have gained, with our professional teams, we provide 24/7 service to our customers after sales or after assembly. Our products with superior technological equipment are provided to provide trouble-free service.

SERVICE & MAINTENANCE SUPPORT

Our periodic maintenance packages are **Platinum**, **Gold** and **Silver** presented in three categories.

✉ info@monador.com.tr

☎ 0212 216 98 18

✉ servis@monador.com.tr

☎ 0212 211 9 211 (In Business Hours)

☎ 0532 465 55 06 - 0532 465 55 07 (Other)

🌐 www.monador.com.tr

🌐 monador otomatik kapı

📷 monadorotomatikkapi

📘 monador otomatik kapı



TS-EN-16005

